

Product Information

Primus 208 Unidos

Protects water pipes from furring and corrosion



Primus 208 Unidos operates with high efficiency

Even very small quantities of liquid phosphate and silicate compounds are dosed accurately

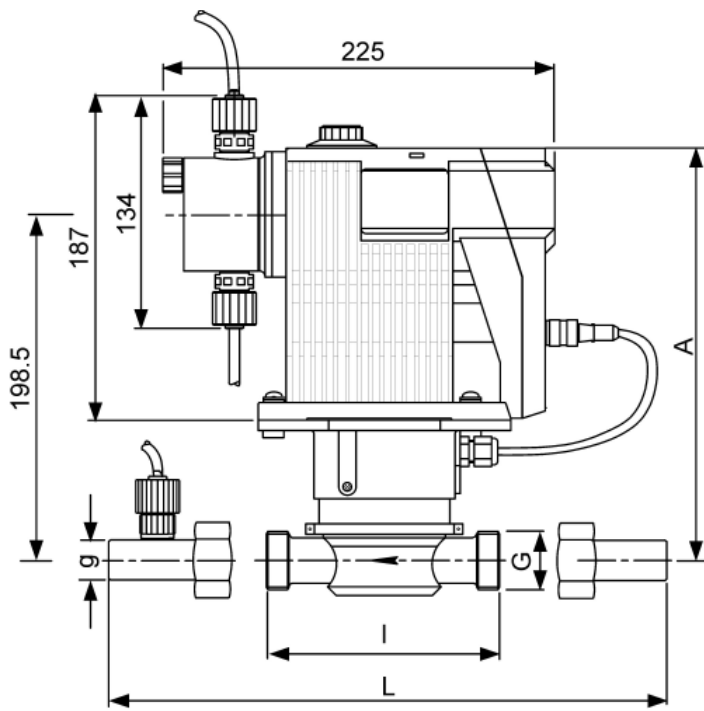
Primus 208 Unidos doses accurately and safely

The regulation of the dosing flow is always in proportion to the water flow; overdosing or underdosing is thus impossible

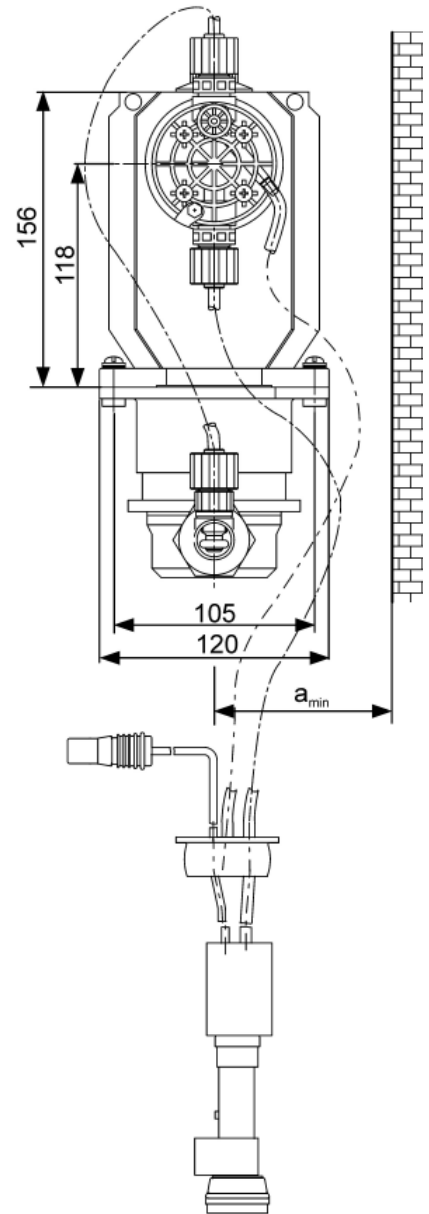
Primus 208 Unidos protects reliably

Even the existing furrings are successfully dissolved, and the water pipes are internally protected from re-furring

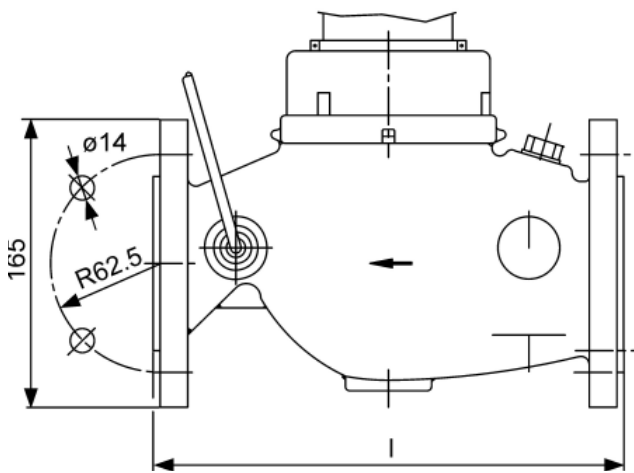
Measurements



208-3.0UNI



Measurements in mm



Unidos water meter

| Flow rates water meter | L | I | G | g | A | a _{min} |
|------------------------|-----|-----|--------------|----------|-----|------------------|
| 5 m ³ /h | 228 | 130 | R 1" | R 3/4" | 237 | 65 |
| 10 m ³ /h | 378 | 260 | R 1 1/4" | R 1" | 274 | 65 |
| 20 m ³ /h | 438 | 300 | R 2" | R 1 1/2" | 291 | 70 |
| 30 m ³ /h | - | 270 | Flange DN 50 | - | 351 | 100 |

Installation types

Comprising:

- Dosing pump with injection unit and water meter, complete with mains cable and shock-proof plug
- Suction line 531-0101 with spring-loaded foot valve and filter, with integrated Reed contact float switch for tank empty signal

| Order number with water meter | 208-3.0UNI | | | 208-6.0UNI |
|---|---------------------|----------------------|----------------------|----------------------|
| | 5 m ³ /h | 10 m ³ /h | 20 m ³ /h | 30 m ³ /h |
| Dosing volume max. per 1 m ³ of water [cm ³] | 420 | 420 | 210 | 168 |
| Dosing volume per stroke [cm ³] | 0.42 | 0.42 | 0.42 | 0.84 |
| 1 dosing stroke per water quantity [l] | 1 | 1 | 2 | 5 |
| Backpressure [bar] | 10 | 10 | 10 | 8 |
| Start-up limit [l/h] | 30 | 60 | 100 | 100 |
| Proportionality limit [m ³ /h] | 7.2 | 7.2 | 14.4 | 36 |
| Pressure loss at proportionality limit [bar] | - | 0.5 | 0.5 | - |
| Nominal flow [m ³ /h] | 2.5 | 6 | 10 | 15 |
| Max. flow rate [m ³ /h] *) | 5 | 10 | 20 | 30 |
| Pressure loss at max. flow rate [bar] | 0.5 | 0.8 | 0.8 | 0.8 |
| Water connection | R 3/4" | R 1" | R 1 1/2" | Flange DN 50 |
| Max. temperature [°C] | 40 | 40 | 40 | 40 |
| Weight [kg] | 3.6 | 5.6 | 8.8 | ca. 15 |

*) Short-term (approx. 5 min.) possible flow rate

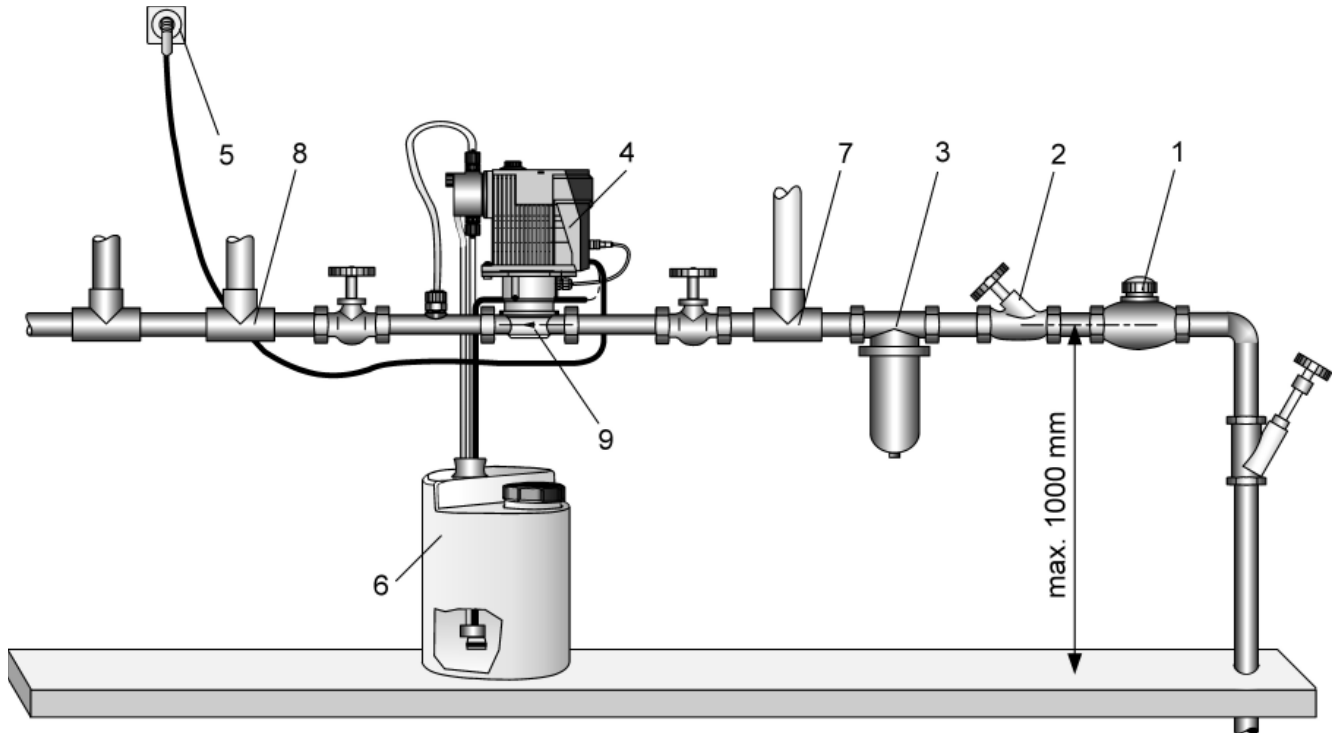
Technical data

| | |
|-------------------|---|
| Stroke adjustment | Manual 0 - 100% |
| Motor | 220-240 V or 110/120 V (50/60 Hz), 11 W |
| Pump protection | IP 65 |
| Connections | Pressure side: PE hose 4/6 Suction side: PVC hose 4/6 |
| Materials | Dosing head and valves: PP Dosing diaphragm: PTFE coated |

Installations with different water meters are available on request.

Functional description

Domestic water supply equipped with Primus 208 Unidos



- 1 Domestic water meter
- 2 Shut-off valve preventing back flow
- 3 Filter
- 4 Primus 208 Unidos
- 5 Earthing pin plug, 230 V

- 6 Storage tank
- 7 Untreated water
- 8 Drinking water distribution
- 9 Unidos water meter

Presented by:

© 2005 by ALLDOS Eichler GmbH